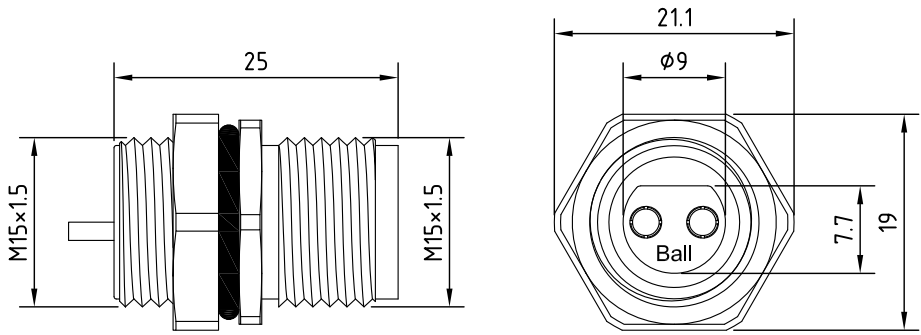


REV.	Description	Date
1	upgrade drawing	2011/9/13

Specification of connector

- Locking system : screw M15
- Termination : solder
- Shell protection : IP68
- Rated voltage : 250V
- Rated current : 12A
- Contact resistance : $\leq 10\text{m}\Omega$
- Insulation resistance : $\geq 10\text{M}\Omega$



RoHS
TOLERANCE X \pm 0.5 .X \pm 0.3

4	Nut	PA
3	O ring	Rubber
2	Pin	Brass/Nickel plated
1	Body	PA
Item	Description	Material&Plating



Unicable Co., Ltd. 國陽電業有限公司
5F., No. 111-33, Sec. 4, San Ho Road., San Chung Dist., New Taipei City, Taiwan
<http://www.unicable.com.tw> Tel:+886-2-2286-2122 Fax:+886-2-2286-1010

DATE	2016/10/7	PART NO.	UT-SD2241-2P
DWN	GINA	REV.	1
CHK			
UNIT	MM		

ITEM	Sensor Connector M15
------	----------------------